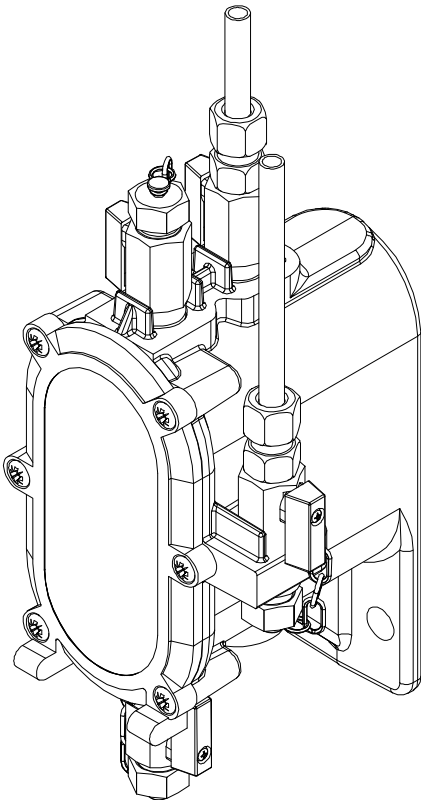


ORDERING CODES		
MODEL	WINDOW MATERIAL	CODE
RG3.3	TEMPERED GLASS	AB9DPG0171
RG3.3	TROGAMID	AB9DPG0101

Pos	Description
1	Inspection window
2	Gas release cock
11	Oil drain cock
12	Stop cock
13	Fixing plate
14	Hermeto joint
15	Stop cock

Average weight : ~2.5 Kg



Mounting sketch

