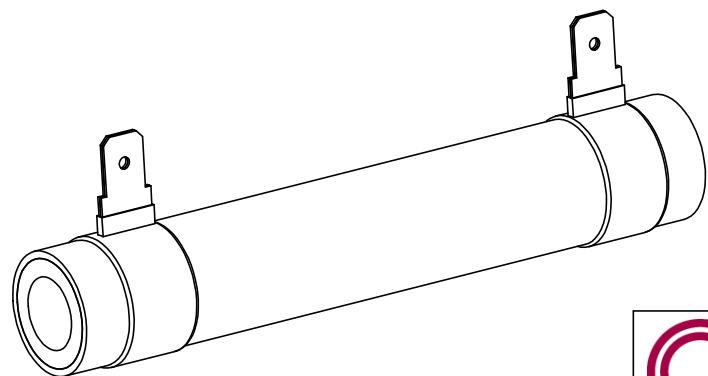


* incl coating



mechanical dimensions for
 GRF-ZRF
 GRI-ZRI
 L=100 L=102
 AMP
 ±10% ±5%



DANOTHERM

Næsbyvej 20, DK 2610 Rødovre
 Tel: +45 36 732222 - Fax: +45 36 732223
 e-mail: danotherm@danotherm.dk
 www.danotherm.dk

GRF 15 x 100 A
GRF 15 x 102 A
xxR 5% 10%

Material:

Path:

T:\sw\stte\Runde rør\Ø15\

Weight (g)	Date	Creator:	Approved:	Scale
	06.01.2012	OC		1:1
Tolerance:		File: GRF 15x102A		
No.:	Last Revision:	Rev Date:	By:	Paper size:
				A4
Any amendment must be confirmed by DANOTHERM ELECTRIC A/S				
Drawing No.:			Sheet:	
GRF 15x102A			1 of 1	

This drawing is the property of DANOTHERM ELECTRIC A/S and must not be copied without their consent.