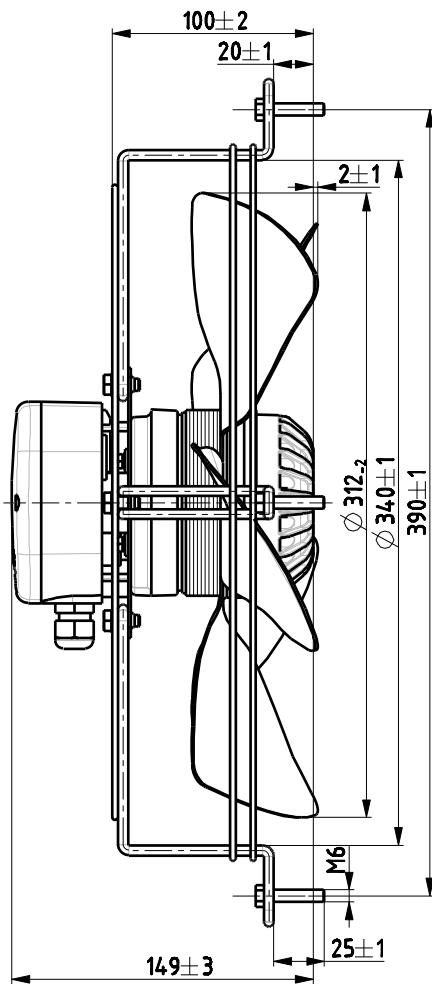
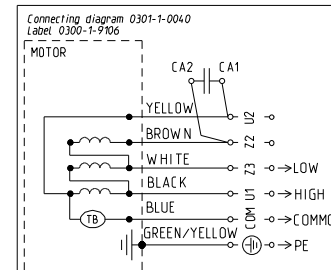
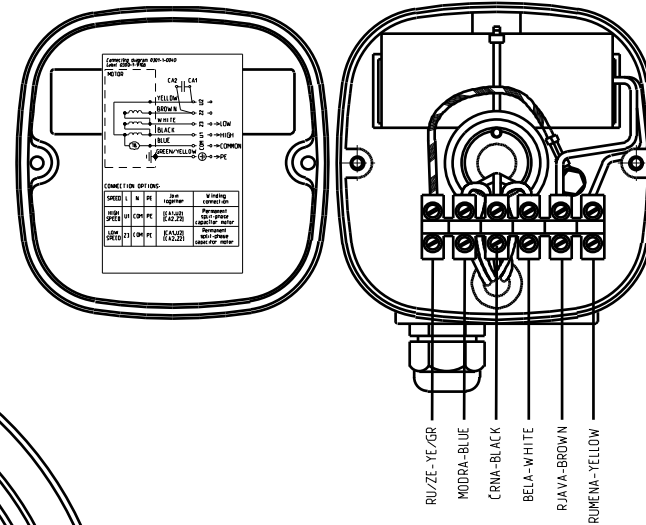
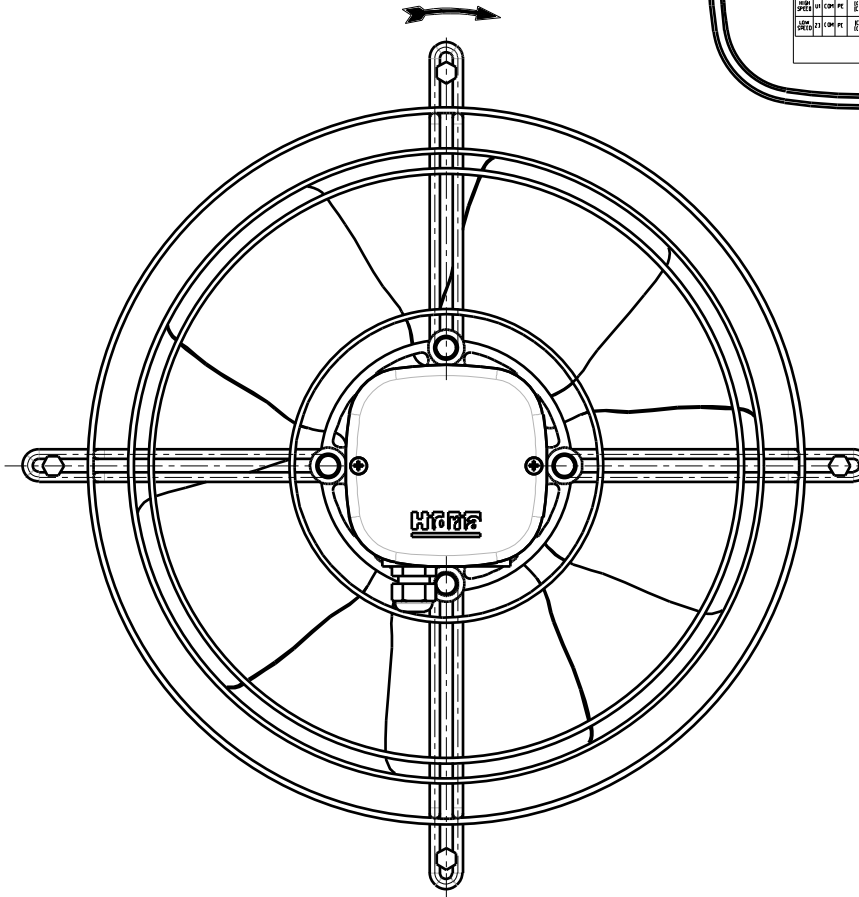


Vaak prenos tretjih osebam in uporaba v nedogovorne namene ni dovoljen.
 This document must not be copied without our written permission and/or transferred to a third party for any unauthorized purpose.



← SUCKING
 AIRFLOW DIRECTION
 SMER ZRAKA



CONNECTION OPTIONS:

SPEED	L	N	PE	Join together	Winding connection
HIGH SPEED	U1	COM	PE	[CA1,U2] [CA2,Z2]	Permanent split-phase capacitor motor
LOW SPEED	Z3	COM	PE	[CA1,U2] [CA2,Z2]	Permanent split-phase capacitor motor

Navodila za kontrolo 0301-1-4406
 Checking instruction 0301-1-4406

MADE IN SLOVENIA

CE

DATE

R09R-3132A-4M2-3535
 1~230V 50Hz 100/85W 0.44/0.38A 1300/1170RPM
 1~230V 60Hz 135/100W 0.62/0.45A 1350/940RPM
 INS.CL.F IP54 C=3uF/450V
 TH.PROT. ROT. ←

0309-4-0179

Hilti		METOLÉRANE HERE UNTOLERANCED DIM.		ISO 2768-m		MERLO/FORMAT 2:5 / A3			
Hidria Rotomatika		POVRŠINSKA OBD. SURFACE TEXTURE		MATERIAL		NAZIV: TITLE:			
		IMEL		DATUM		PODPIS		NAZIV: TITLE:	
		PROJEKTIRAL		09-Mar-2005		Uroš K.		KODA: CODE:	
		PROJEKTIRAL		09-Mar-2005		Jure L.		VERZIJA: REV:	
		PROJEKTIRAL						LIST: SHEET:	
		PROJEKTIRAL						02: OF:	
3		05/09		11-Feb-2009		Uroš K.		0309-4-0179	
2		08/05		30-Mar-2006		Uroš K.		1	
1		08/05		04-Apr-2005		Uroš K.		1	
ST.		ST.SPR.		DATUM		PODPIS			