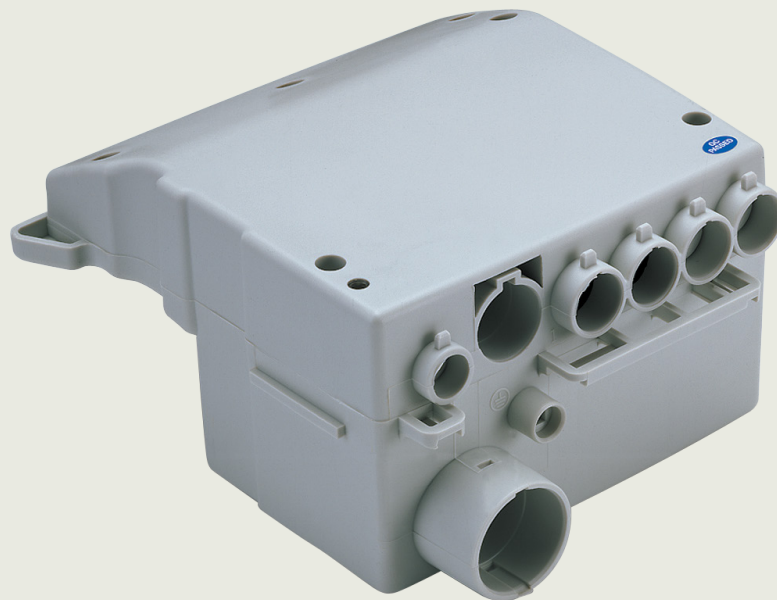


Control Box CB9

Data Sheet



Contents

Introduction	3
Usage	3
Ordering information	4
Ordering example	5
Dimensions	6
CB9 CARELINE.....	6
CB9 CARELINE Basic	7
Ordering example BA18	8
Contacts	9

Introduction



The CB9 CARELINE and CB9 CARELINE Basic have been developed for use together with LA31/LA31R, LA34/LA34R in the Care & Rehab industry. CB9 and LA31 can be fully integrated which saves mounting and wiring or be installed separately.

Exchangeable mains cables, Electronic Overload Protection (EOP), EAS, earth connection (Class 1) and exchangeable mains fuse makes CB9 a good choice for the simple hospital and care beds.

Features and options

- Connection of max. 4 actuators, type LA31 and LA34, via 4-pole DIN sockets.
- Extremely compact design
- Mains voltage:
 - CB9 CARELINE - 100/120/230 V AC 50-60 Hz
 - CB9 CARELINE Basic - 230 V AC 50-60 Hz
- Output voltage 24V DC
- Protection class: IPX4 or IPX6 (not for wash tunnels)
- Colour: Grey or black
- DIN-socket for hand controls:
 - CB9 CARELINE: AK types: HB40, HB70, DP or FS
 - CB9 CARELINE Basic: AK types: HB40, HB70, DP or FS
- EOP = Electronic Overload Protection
- Locking mechanism for DIN plugs and mains cable
- Electronic protection of the relays for extended lifetime, EAS (simple EAS), available on all types
- Double power control (FET + relay) monitoring on all AK types
- Class 1 or 2 protection
 - CB9 CARELINE: Power supply indication via LED. Not available with mains cut-off
- Exchangeable mains fuse from outside
- External battery back-up and internal charger, use notation A for ordering
- External battery back-up (no internal charger), use notation B for ordering
- External battery back-up alarm, use notation C for ordering
- Can be mounted on the LA31
- Short cut protection

AK: Means common measurement on CH1, CH2, CH3 and CH4. If the total current exceeds 7A all channels will be cut off

Usage

- Duty cycle: Max. 10% or 2 min. continuous use followed by 18 min. not in use
- Ambient temperature: +5° to +40°C
- Compatible with up to 4 actuators, type LA31 and LA34, via 4-pole DIN sockets
- Compatible with BA18
- Mains supply grid should be limited to the highest prospective short circuit current of 35 A
- Approvals:
 - IEC60601-1
 - ANSI/AAMI ES60601
 - CSA CAN/CSA C22.2 NO. 60601-1
 - PSE Japan

Ordering information

- It is possible to order blind plugs for CB9 CARELINE IPX66.

Order number:

Grey: 00931082

Black: 00931081

O-rings are not needed for these rubber plugs.

- It is also possible to order blind plugs for the external battery box outlet (for BA1800)

Order number:

Grey: 00918035

Black: 00918034

O-rings 0007018

The blind plugs are delivered in plastic bags of 100 units in each bag.

- When ordering a CB with mains cable the O-ring and locking ring are automatically included (to maintain the IP degree). When ordering a mains cable you only need to specify if the O-ring and / or locking ring are required.

Order number:

O-rings 0007029

Locking ring 00912007



Ordering example

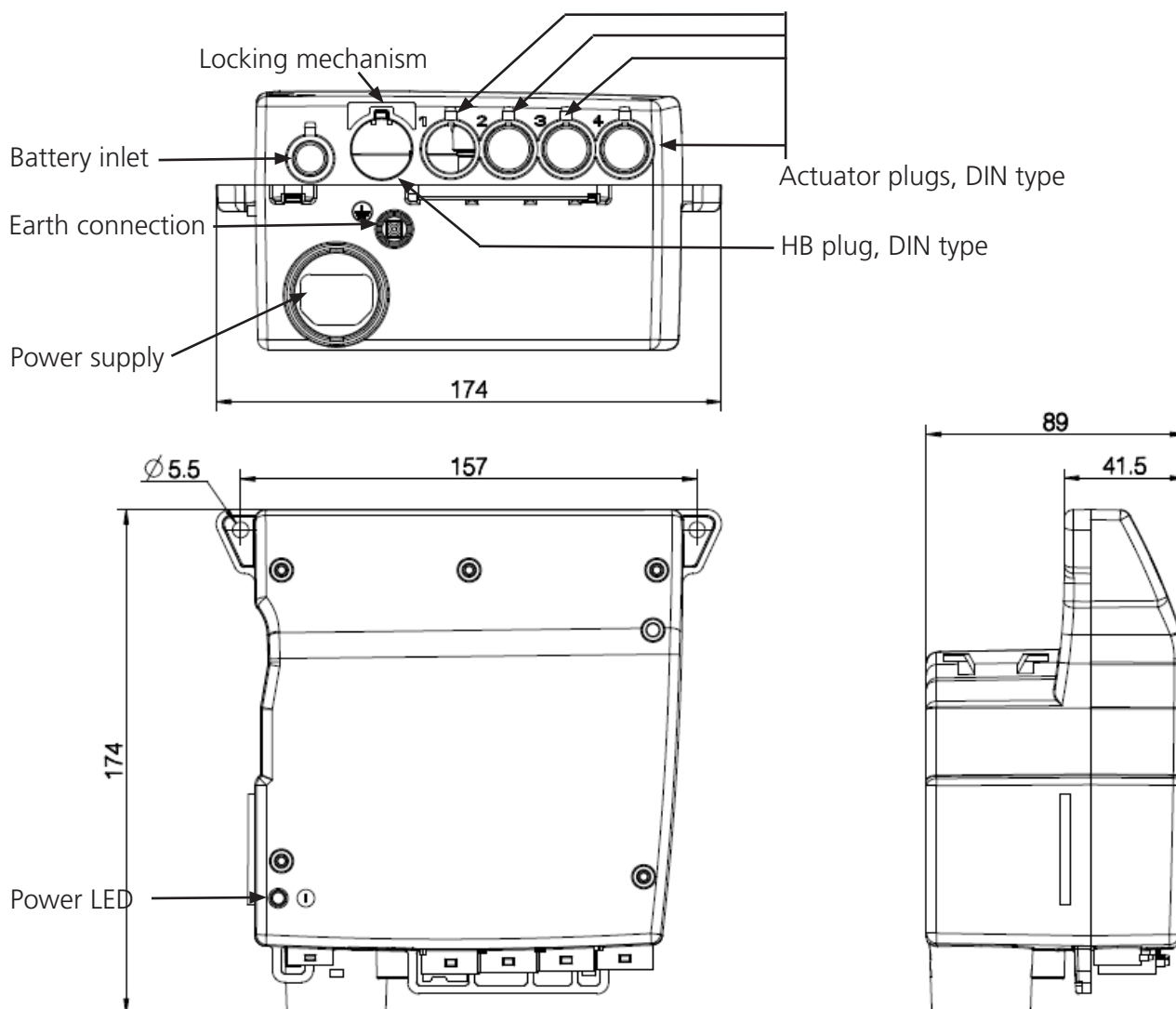
<p>CB9 1 6 0 AK 4 + 0 0 0 1A</p>	<p>MAINS CABLE</p> <p>Careline, LINAK connector, without earth:</p> <p>10 Straight, EU, straight mains-plug-end and straight CB-end 11 Coiled, EU, straight mains-plug-end and straight CB-end 13 Straight, UK, angled mains-plug-end and straight CB-end 14 Straight, Japan, straight mains-plug-end and straight CB-end 15 Straight, USA, straight mains-plug-end and straight CB-end 17 Straight, AUS, straight mains-plug-end and straight CB-end 19 Without cable</p> <p>Careline Basic, non-detachable, without earth:</p> <p>20 Straight, EU, straight mains-plug-end and straight CB-end 23 Straight, UK, angled mains-plug-end and straight CB-end 24 Straight, Japan, straight mains-plug-end and straight CB-end 25 Straight, USA, straight mains-plug-end and straight CB-end 27 Straight, AUS, straight mains-plug-end and straight CB-end</p> <p>Careline or Careline Basic, LINAK connector, with earth:</p> <p>1A Straight, EU, angled mains-plug-end and straight CB-end 1B Coiled, EU, angled mains-plug-end and straight CB-end 1D Straight, UK, angled mains-plug-end and straight CB-end 1F Straight, USA, straight mains-plug-end and straight CB-end 1G Straight, CH, straight mains-plug-end and straight CB-end 1J Without cable</p> <p>Careline, mains cut-off, non-detachable, without earth:</p> <p>F0 Straight, EU (only CB9-transformer)</p> <p>Careline, mains cut-off, non-detachable, with earth:</p> <p>FA Straight, EU (only CB9-transformer)</p> <p>MAINS VOLTAGE</p> <p>0 CB9 transformer 230V 1 CB9 transformer 120V (Careline only) 2 CB9 transformer 100V (Careline only) 3 CB18 transformer 230V (Careline only and only AF, AL or AM-functionality) 4 CB18 transformer 120V (Careline only and only AF, AL or AM-functionality) 5 CB18 transformer 100V (Careline only and only AF, AL or AM-functionality)</p> <p>FUSE COVER</p> <p>0 No 1 Yes (Careline only)</p> <p>BATTERY</p> <p>0 No battery A Con. for ext. 24V bat. and internal charger (not compatible with mains cut-off) B Con. for ext. 24V bat. (no internal charger) (not compatible with mains cut-off) C Con. for ext. 24V bat., internal charger and alarm (not compatible with mains cut-off) (Careline only)</p> <p>COLOUR</p> <p>+ Grey - Black</p> <p>NO. OF CHANNELS 1 - 4</p> <p>FUNCTIONALITY</p> <p>AK 7.0 A current cut-off limit at all ch. EAS</p> <p>FLAME CLASSIFICATIONS</p> <p>0 HB 1 V0 (Careline only)</p> <p>IP DEGREE</p> <p>4 IPX4 6 IPX6</p> <p>PLASTIC HOUSING</p> <p>1 Careline (without mains-indicator nor fuse-cover if mains cut-off) 2 Careline Basic (without mains-indicator)</p> <p>TYPE CB9</p>	<p>Black</p> <p>SML912036</p> <p>SML912049</p> <p>SML912344</p> <p>SML912050</p> <p>SML912061</p> <p>Black</p> <p>0015262</p> <p>Black</p> <p>SML912098</p> <p>SML912099</p> <p>SML912065</p> <p>SML912066</p> <p>Black</p> <p>00WP039C00-00</p> <p>Black</p> <p>00WP039C00-0A</p> <p>Grey</p> <p>SML912051</p> <p>SML912062</p> <p>SML912345</p> <p>Grey</p> <p>0015295</p> <p>0015504</p> <p>0015502</p> <p>0015503</p> <p>0015505</p> <p>Grey</p> <p>SML912100</p> <p>SML912068</p> <p>Grey</p> <p>SML912100</p> <p>SML912068</p>
----------------------------------	---	---



Dimensions

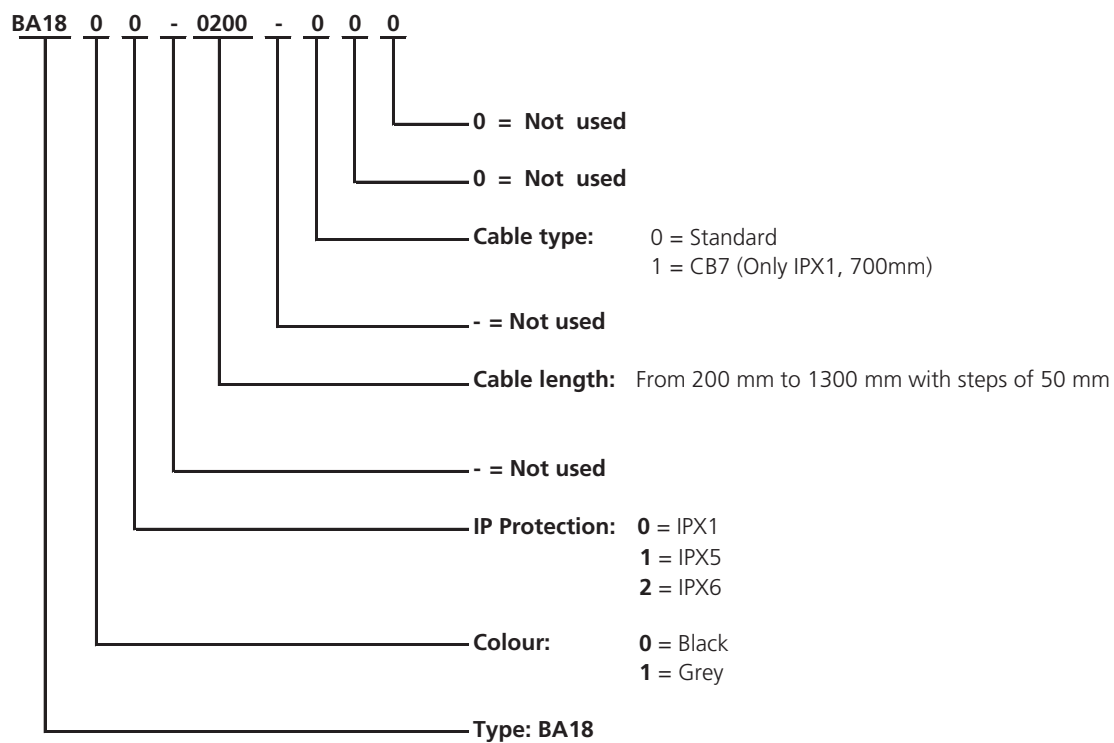
All dimensions are in mm.

CB9 CARELINE



Note: The tolerance between the mounting holes is +/- 0.5 mm.

Ordering example BA18



An external charging device is not available as standard article.

Contacts

FACTORIES

Denmark - Headquarters
 LINAK A/S
 Phone: +45 73 15 15 15
 Fax: +45 74 45 80 48
 Fax (Sales): +45 73 15 16 13
 Web: www.linak.com

China
 LINAK (Shenzhen) Actuator Systems, Ltd.
 Phone: +86 755 8610 6656
 Phone: +86 755 8610 6990
 Web: www.linak.cn

Slovakia
 LINAK Slovakia s.r.o.
 Phone: +421 51 7563 444
 Web: www.linak.sk

Thailand
 LINAK APAC Ltd.
 Phone: +66 33 265 400
 Web: www.linak.com

USA
 LINAK U.S. Inc.
 Americas Headquarters
 Phone: +1 502 253 5595
 Fax: +1 502 253 5596
 Web: www.linak-us.com
 www.linak-latinamerica.com

SUBSIDIARIES

Australia
 LINAK Australia Pty. Ltd
 Phone: +61 3 8796 9777
 Fax: +61 3 8796 9778
 E-mail: sales@linak.com.au
 Web: www.linak.com.au

Austria
 LINAK Zweigniederlassung - Österreich (Wien)
 Phone: +43 (1) 890 7446
 Fax: +43 (1) 890 744615
 E-mail: info@linak.de
 Web: www.linak.at - www.linak.hu

Belgium
 LINAK Actuator-Systems NV/SA
 (Belgium & Luxembourg)
 Phone: +32 (0)9 230 01 09
 E-mail: beinfo@linak.be
 Web: www.linak.be - www.fr.linak.be

Brazil
 LINAK Do Brasil Comércio De Atuadores Ltda.
 Phone: +55 (11) 2832 7070
 Fax: +55 (11) 2832 7060
 E-mail: info@linak.com.br
 Web: www.linak.com.br

Canada
 LINAK Canada Inc.
 Phone: +1 502 253 5595
 Fax: +1 416 255 7720
 E-mail: info@linak.ca
 Web: www.linak-us.com

Czech Republic
 LINAK C&S s.r.o.
 Phone: +42 058 174 1814
 Fax: +42 058 170 2452
 E-mail: info@linak.cz
 Web: www.linak.cz - www.linak.sk

Denmark - International
 LINAK International
 Phone: +45 73 15 15 15
 E-mail: info@linak.com
 Web: www.linak.com

Denmark - Sales
 LINAK Danmark A/S
 Phone: +45 86 80 36 11
 Fax: +45 86 82 90 51
 E-mail: linak@linak-silkeborg.dk
 Web: www.linak.dk

Finland
 LINAK OY
 Phone: +358 10 841 8700
 E-mail: linak@linak.fi
 Web: www.linak.fi

France
 LINAK France E.U.R.L.
 Phone: +33 (0) 2 41 36 34 34
 Fax: +33 (0) 2 41 36 35 00
 E-mail: linak@linak.fr
 Web: www.linak.fr

Germany
 LINAK GmbH
 Phone: +49 6043 9655 0
 Fax: +49 6043 9655 60
 E-mail: info@linak.de
 Web: www.linak.de

India
 LINAK A/S India Liaison Office
 Phone: +91 120 4531797
 Fax: +91 120 4786428
 E-mail: info@linak.in
 Web: www.linak.in

Ireland
 LINAK UK Limited (Ireland)
 Phone: +44 (0)121 544 2211
 Fax: +44 (0)121 544 2552
 +44 (0)796 855 1606 (UK Mobile)
 +35 387 634 6554 (Rep.of Ireland Mobile)
 E-mail: sales@linak.co.uk
 Web: www.linak.co.uk

Italy
 LINAK ITALIA S.r.l.
 Phone: +39 02 48 46 33 66
 Fax: +39 02 48 46 82 52
 E-mail: info@linak.it
 Web: www.linak.it

Japan
 LINAK K.K.
 Phone: 81-45-533-0802
 Fax: 81-45-533-0803
 E-mail: linak@linak.jp
 Web: www.linak.jp

Malaysia
 LINAK Actuators Sdn. Bhd.
 Phone: +60 4 210 6500
 Fax: +60 4 226 8901
 E-mail: info@linak-asia.com
 Web: www.linak.my

Netherlands
 LINAK Actuator-Systems B.V.
 Phone: +31 76 5 42 44 40 /
 +31 76 200 11 10
 E-mail: info@linak.nl
 Web: www.linak.nl

New Zealand
 LINAK New Zealand Ltd
 Phone: +64 9580 2071
 Fax: +64 9580 2072
 E-mail: nzsales@linak.com.au
 Web: www.linak.com.au

Norway
 LINAK Norge AS
 Phone: +47 32 82 90 90
 E-mail: info@linak.no
 Web: www.linak.no

Poland
 LINAK Polska
 LINAK Danmark A/S (Spółka Akcyjna)
 Phone: +48 22 295 09 70 /
 +48 22 295 09 71
 E-mail: info@linak.pl
 Web: www.linak.pl

Republic of Korea
 LINAK Korea Ltd.
 Phone: +82 2 6231 1515
 Fax: +82 2 6231 1516
 E-mail: info@linak.kr
 Web: www.linak.kr

Slovakia
 LINAK Slovakia S.R.O.
 Phone: +421 51 7563 444
 Web: www.linak.sk

Spain
 LINAK Actuadores, S.L.u
 Phone: +34 93 588 27 77
 Fax: +34 93 588 27 85
 E-mail: esma@linak.es
 Web: www.linak.es

Sweden
 LINAK Scandinavia AB
 Phone: +46 8 732 20 00
 Fax: +46 8 732 20 50
 E-mail: info@linak.se
 Web: www.linak.se

Switzerland
 LINAK AG
 Phone: +41 43 388 31 88
 Fax: +41 43 388 31 87
 E-mail: info@linak.ch
 Web: www.linak.ch - www.fr.linak.ch
 www.it.linak.ch

Taiwan
 LINAK (Shenzhen) Actuator systems Ltd.
 Taiwan Representative office
 Phone: +886 2 272 90068
 Fax: +886 2 272 90096
 E-mail: sales@linak.com.tw
 Web: www.linak.com.tw

Turkey
 LINAK İth. İhr. San. ve Tic. A.Ş.
 Phone: +90 312 4726338
 Fax: +90 312 4726635
 E-mail: info@linak.com.tr
 Web: www.linak.com.tr

United Kingdom
 LINAK UK Limited
 Phone: +44 (0)121 544 2211
 Fax: +44 (0)121 544 2552
 E-mail: sales@linak.co.uk
 Web: www.linak.co.uk

DISTRIBUTORS

Argentina
 Novotec Argentina SRL
 Phone: 011-4303-8989 / 8900
 Fax: 011-4032-0184
 E-mail: info@novotecargentina.com
 Web: www.novotecargentina.com

Colombia
 MEM Ltda
 Phone: +[57] (1) 334-7666
 Fax: +[57] (1) 282-1684
 E-mail: servicioalcliente@memltda.com.co
 Web: www.mem.net.co

India
 Mechatronics Control Equipments India Pvt Ltd
 Phone: +91-44-28558484, 85
 E-mail: bala@mechatronicscontrol.com
 Web: www.mechatronicscontrol.com

Indonesia
 PT. Himalaya Everest Jaya
 Phone: +6 221 544 8956 /+6 221 544 8965
 Fax: +6 221 619 1925
 Fax (Sales): +6 221 619 4658
 E-mail: hejplastic-div@centrin.net.id
 Web: www.hej.co.id

Israel
 NetivTech LTD
 Phone: +972 55-2266-535
 Fax: +972 2-9900-560
 Email: info@NetivTech.com
 Web: www.netivtech.com

Singapore
 Servo Dynamics Pte Ltd
 Phone: +65 6844 0288
 Fax: +65 6844 0070
 E-mail: servodynamics@servo.com.sg

South Africa
 Industrial Specialised Applications CC
 Phone: +27 011 466 0346
 E-mail: gartht@isagroup.co.za
 Web: www.isaza.co.za

United Arab Emirates
 Mechatronics
 Phone: +971 4 267 4311
 Fax: +971 4 267 4312
 E-mail: mechtron@emirates.net.ae

Terms of use

LINAK® takes great care in providing accurate and up-to-date information on its products. However, the user is responsible for determining the suitability of LINAK products for a specific application. Due to continual development, LINAK products are subject to frequent modifications and changes. LINAK reserves the rights to conduct modifications, updates, and changes without any prior notice. For the same reason, LINAK cannot guarantee the correctness and actual status of imprinted information on its products.

LINAK uses its best efforts to fulfil orders. However, for the reasons mentioned above, LINAK cannot guarantee availability of any particular product at any given time. LINAK reserves the right to discontinue the sale of any product displayed on its website or listed in its catalogues or in other written material created and produced by LINAK, LINAK subsidiaries, or LINAK affiliates. All sales are subject to the 'Standard Terms of Sale and Delivery for LINAK A/S' available on LINAK websites. LINAK and the LINAK logotype are registered trademarks of LINAK A/S. All rights reserved.